

AVK LEVER ASSEMBLY FOR S76

Use:

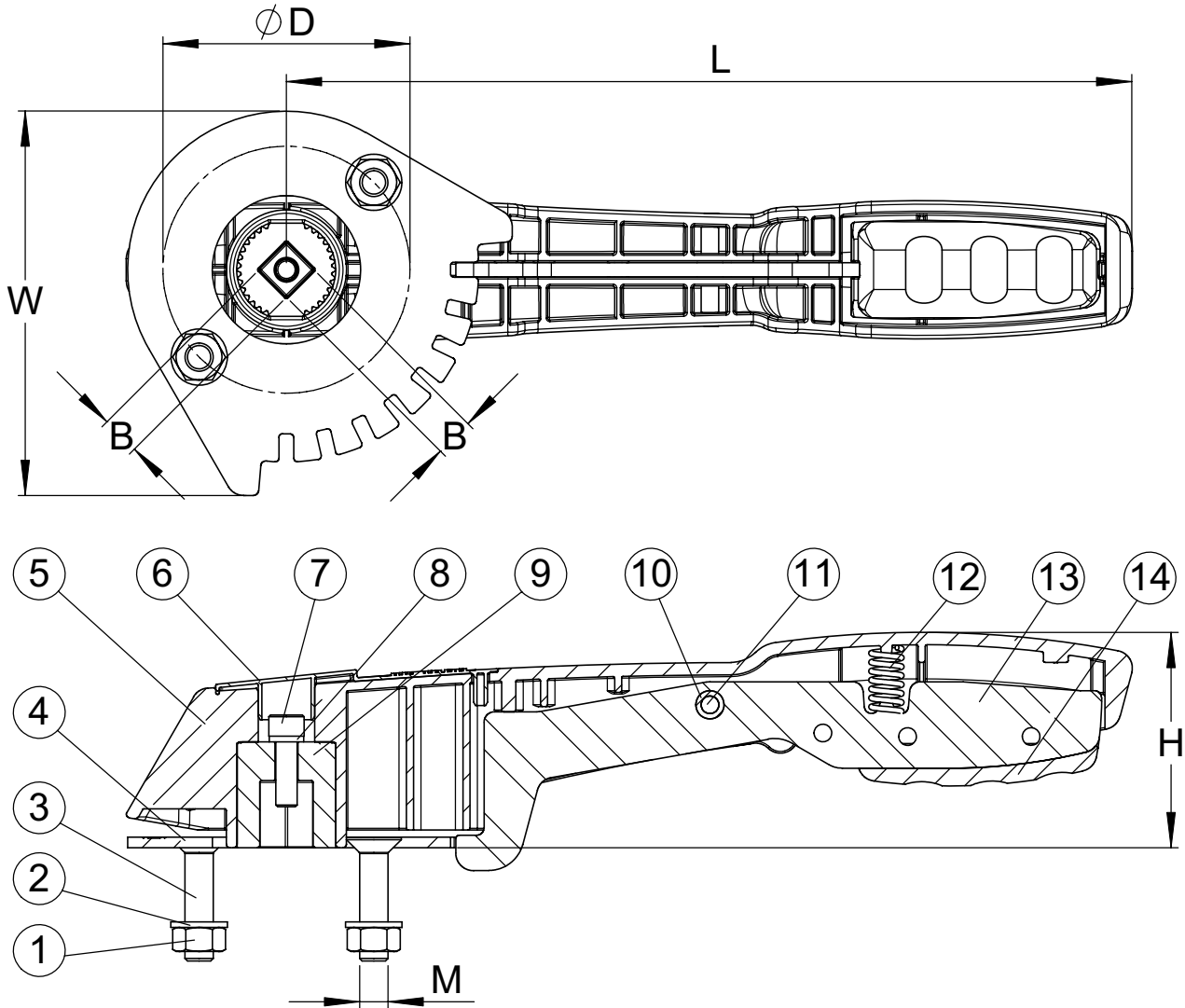
For HVAC application.

Materials:

Lever	PA6.6 and 30% Glass fiber
Name plate	PA6.6 and 30% Glass fiber
Grip	PA6.6 and 30% Glass fiber
Notch plate	DIN 17100 1.0037/ FZV
Spring	DIN 17100 1.0037/ FZV
Latch	DIN 17100 1.0037/ FZV
Insert	Sinter Metal
Bearing	POM
Spiral pin	DIN 7343 ST/FZV
Fasteners	FZV



AVK LEVER ASSEMBLY FOR S76



Component list

1. Nut	8. Washer
2. Washer	9. Insert
3. Bolt	10. Bearing
4. Notch plate	11. Spiral pin
5. Lever	12. Spring
6. Name plate	13. Latch
7. Bolt	14. Grip

Reference nos. and dimensions

AVK ref. nos.	DN mm	L mm	H mm	W mm	D mm	M mm	B mm
7600808017221	50-80	195	56	82.5	50	M6	9
7601008021831	100	240	61	109	70	M8	11
7601508021831	125-150	240	61	109	70	M8	14
7602008036731	200	390	65.5	109	70	M8	17