

TLBVA23A – PFA Lined Ball Valve, ANSI cl. 150 type with actuator mounting parts

Description

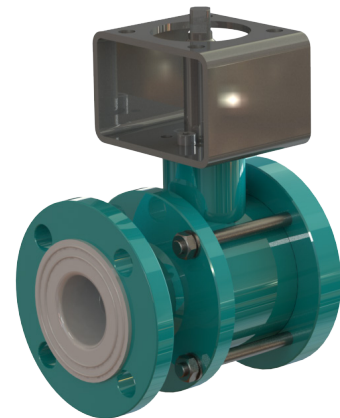
Full bore PFA lined ball valve with flanged ends and 3-piece body, for corrosive applications.

Product features

- Size range DN 15 (½") – 100 (4")
- Flange rating ANSI cl. 150
- Face to face dimension ANSI B16.10
- Max. working pressure max. 16 bar
- Temperature range -50 °C to 180 °C
- Anti-static version available as option

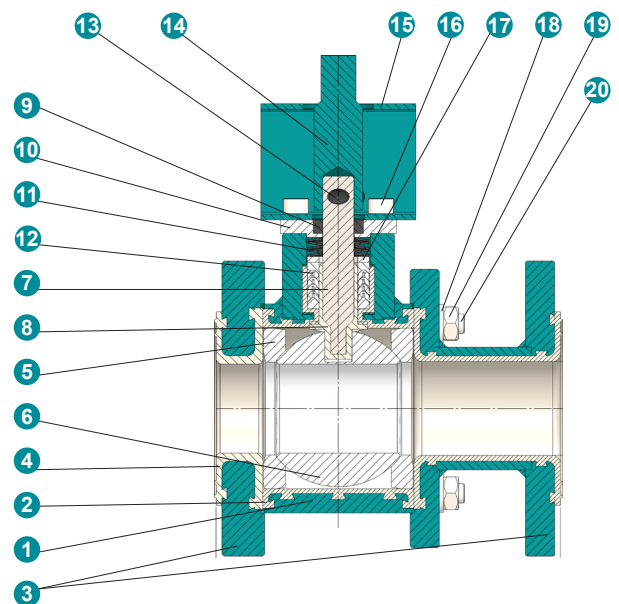


The ball valves TLBV meet the safety requirements of the PED 2014/68/EU and with antistatic lining as well the ATEX 2014/34/EU.

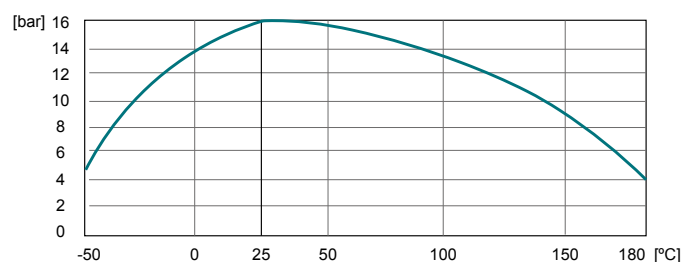


Construction

Item	Description	Material
1	Body	Carbon steel 1.0037, Epoxy / Polyester coated
2	Body lining	PFA / PFA antistatic
3	Flange end pieces	Carbon steel 1.0037, Epoxy / Polyester coated
4	Lining of flanges	PFA / PFA antistatic
5	Seat ring	PTFE / PTFE antistatic
6	Ball	DN 15 - 20: PTFE + 25 % GF / PTFE antistatic DN 25 - 100: PFA or PFA antistatic with steel reinforcement
7	Stem	Carbon steel 1.6580 / 30CrNiMo8
8	Lining of stem	PFA / PFA antistatic
9	Ring	PTFE antistatic
10	Retaining flange	Stainless steel 1.4571 / X6CrNiMo-Ti17-12-2 / ≈ AISI 316Ti
11	Spring washers	Spring steel 51Si7 / 1.5025
12	Packing bellows	PTFE / PTFE antistatic
13	Spring bolt	Steel 1.0044 / S275JR
14	Coupling	Carbon steel 1.0037 / St 37, Epoxy coated
15	Bracket	Carbon steel 1.0037 / St 37, Epoxy coated
16	Bolt	Stainless steel A4-70
17	Gland ring	Stainless steel 1.4571 / X6CrNiMo-Ti17-12-2 / ≈ AISI 316Ti
18-20	Body bolting	Stainless steel A4-70



Pressure- / temperature diagram



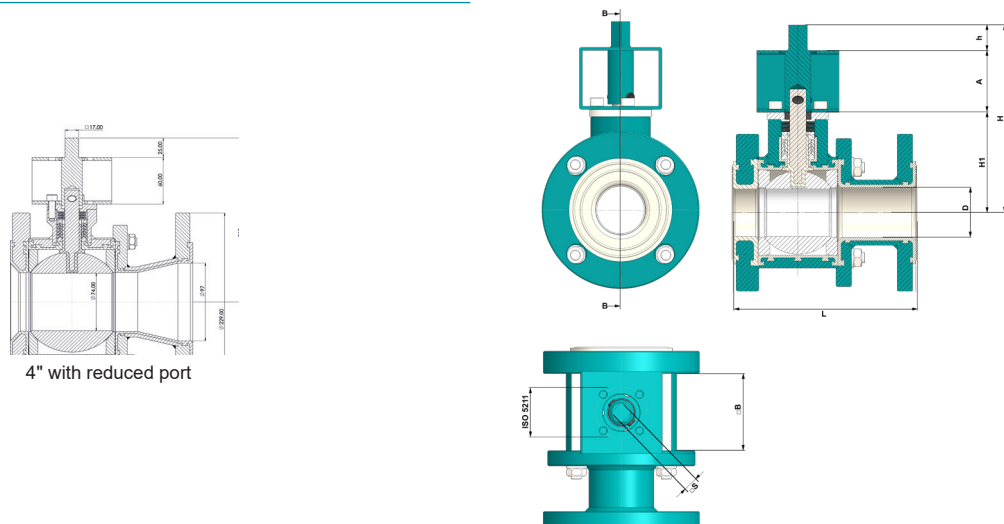
Type code

TLBVA 23 F A 025 . 3 A - 3CT . 3CT . T . SCF

① ② ③ ④ ⑤ ⑥ ⑦ ⑧ ⑨ ⑩ ⑪

①	Type	TLBVA	PFA lined ball valve with ISO top flange	
②	Construction	23	2/2 ways, 3-piece body	
③	Bore	F	Full bore; 4" standard with reduced port; full port on request	DN 15-80
		R	Reduced bore: standard on DN 100; full port on request	DN 100
④	Face to face	A	ANSI B16.10	
⑤	Size	015-100	DN 15 - 100 mm (½" - 4")	
⑥	Working pressure	3	16 bar	
⑦	Flange connection	A	ANSI cl. 150	
⑧	Material body	3CT	Carbon steel 1.0037 PFA lined	
		3CA	Carbon steel 1.0037 PFA antistatic lined (black) (no FDA and EC 1935/2004 compliance)	
		4BT	Stainless steel 1.44404 PFA lined	
		4BA	Stainless steel 1.44404 PFA antistatic lined (black) (no FDA and EC 1935/2004 compliance)	
⑨	Material ball	0TG	PTFE + 25 % GF	DN 15-20
		00A	PTFE antistatic (black) + 25 % carbon	DN 15-20
		3CT	PFA with steel reinforcement	DN 25-100
		3CA	PFA antistatic (black) with steel reinforcement	DN 25-100
		00C	Ceramic ZrO2	Optional
⑩	Material seat rings	T	PTFE	
		A	PTFE antistatic (black) + 25 % carbon	
⑪	Special executions	SCF	Cavity filler seats (very low dead volume)	

Dimensions



4" with reduced port

Size	L	D	K	n x d	H	H1	A	s x h	ISO 5211		kv [m3/h]	[kg]
									Double acting	Single acting		
½"	108	13	60.5	4 x 16	107	48	60	11 x 12	F05	F05	17.5	1.9
¾"	117	18	70	4 x 16	105.8	49.5	60	11 x 12	F05	F05	31	2.9
1"	127	24	79.5	4 x 16	112.5	53.5	60	11 x 12	F05	F05	75	4.0
1 ¼"	140	32	89	4 x 16	151	72	80	14 x 16	F05	F07	155	6.0
1 ½"	165	38	98.5	4 x 16	157	78	80	14 x 16	F05	F07	200	8.4
2"	178	48	120.5	4 x 19	179	100	80	14 x 16	F05	F07	310	11.2
2 ½"	190	62	139.5	4 x 19	183.5	104.5	80	14 x 16	F05	F07	500	15.0
3"	203	76	152.5	8 x 19	212	127	100	17 x 19	F07	F10	800	20.5
4"	229	96	190.5	8 x 19	212	127	100	17 x 19	F07	F10	1250	29.0

The technical data are noncommittal and do not assure you of any properties. Please refer to our general sales conditions. Modifications without notice.
© 2022 InterApp AG, all rights reserved