


Description

High performance double eccentric Lug butterfly valve with PTFE sealing for working pressures up to 20 bar (ANSI Class 150) . With wrought materials and sealing options:

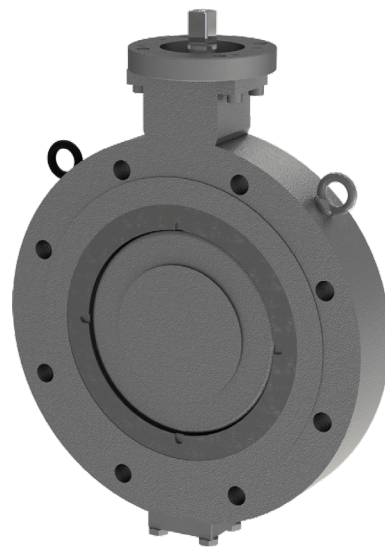
- TG with PTFE+25% glass fibre seat (RPTFE)
- TM with modified PTFE

Product features

- Body construction EP3 Lug
- Face to face dimension according to ISO 5752/20, EN558-1/5, BS 5155/4, API 609
- Top flange according to EN ISO 5211
- Rating PN10/16, ANSI cl. 150
- Tightness Gas tightness according to EN 12266-1/P12 leakage rate A/API 598
- ATEX Execution according to ATEX 2014/34/EU
 II 2 GD c Tx



The butterfly valves ELARA meet the safety requirements of the pressure Equipment Directive 2014/68/UE (PED) appendix 1 for fluids of the groups 1 and 2

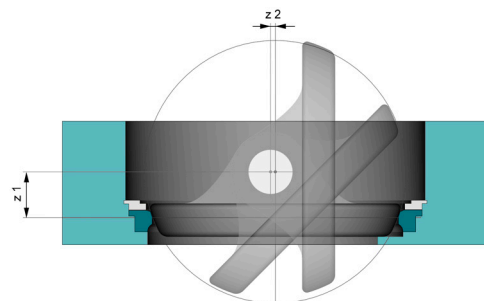


Double eccentric function:

The ELARA is a double eccentric butterfly valve. The double eccentricity results from:

- Offset of the disc to the shaft (z 1) and
- Offset of the disc centre to the shaft (z 2).

Consequently, when opening, the disc is immediately disengaged from the seat and thus, the friction and the torque remain very low.



Torque at requested working pressure [Nm]

DN	80	100	125	150	200	250	300	350	400	500	600
10 bar	57	68	128	195	270	495	870	1170	1275	2928	4575
16 bar	68	84	135	218	360	600	960	1545	2100	3840	6450
20 bar	83	102	150	248	458	675	1058	1875	2580	4800	7800

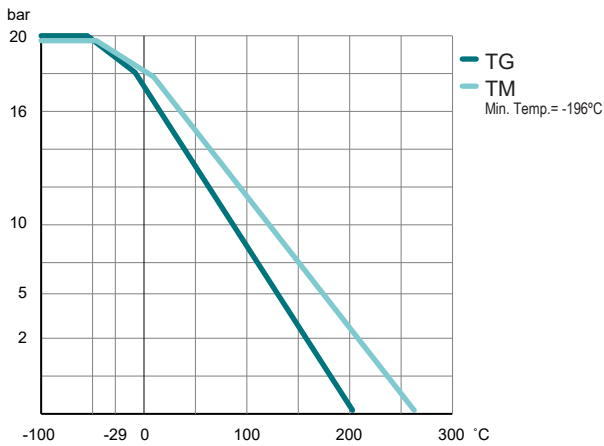
Flow values kv [m³/h]

DN	80	100	125	150	200	250	300	350	400	500	600
Kv	225	410	665	972	1823	2894	4147	5932	7776	12614	20325

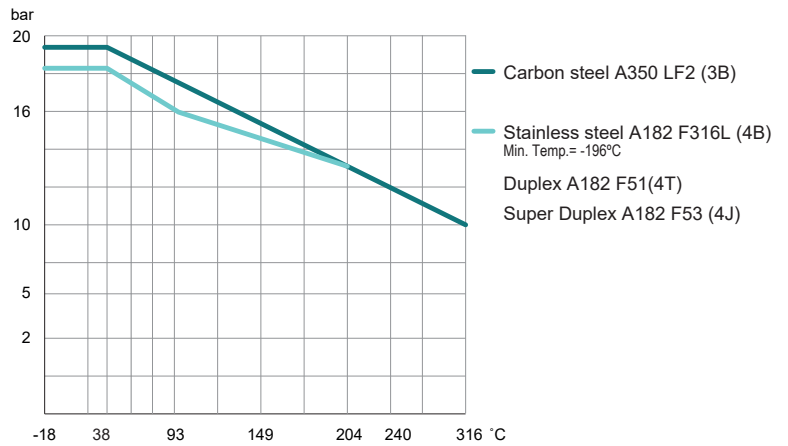


Pressure / Temperature

Seat



Body



Type code

EP3 0150 . 4 A - 410 . 4I . 410 . TG - FF
 ① ② ③ ④ ⑤ ⑥ ⑦ ⑧ ⑨

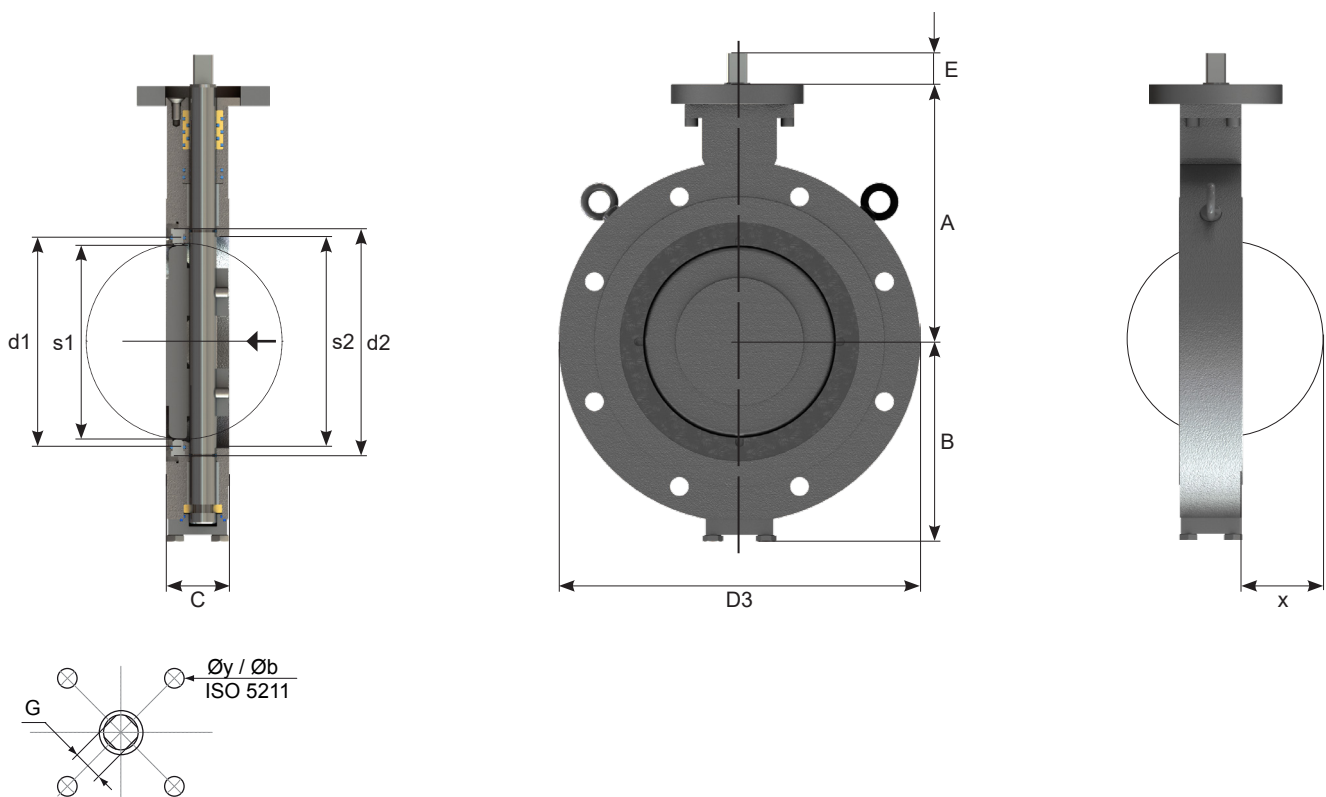
①	Body type	EP3	Lug	DN 80-600
②	Nominal diameter	080-600	mm	
③	Maximum working pressure	4	20 bar	DN 80-600
④	Flange connection	2	PN 10	DN 200-600
		3	PN 16/10	DN 100-150
			PN 16	DN 200-600
		5	PN 25	DN 200-300
		6	PN 10/16/25/40	DN 80
			PN 25/40	DN 100-150
			PN 40	DN 200-300
A	ANSI cl. 150	DN 80-600		
⑤	Body	3BI	Carbon steel (A350 LF2 / 1.0570) with Epoxy primer 80µm	
		4B0	Stainless steel (1.4404 / A182 F316L)	
		4T0	Duplex (1.4462 / A182 F51) stainless steel	
		4J0	Super Duplex (1.4410 / A182 F53) stainless steel	
⑥	Shaft	4B	Stainless steel (1.4404 / A182 F316L)	
		4T	Duplex (1.4462 / A182 F51) stainless steel	
		4J	Super Duplex (1.4410 / A182 F53) stainless steel	
⑦	Disc	4B0	Stainless steel (1.4404 / A182 F316L)	
		4T	Duplex (1.4462 / A182 F51) stainless steel	
		4J0	Super Duplex (1.4410 / A182 F53) stainless steel	
⑧	Seat	TG	PTFE with 25% glass fibre (Tmax 204°C)	
		TM	PTFE modified (Tmax 260°C)	on request
⑨	Option	FF	Fat free execution	
		CR	Cryogenic applications (T ≤ -40°C)	Available for 4B0, 4T0 and 4J0 bodies

Material configurations

	BODY	SHAFT	DISC
3BI.4B.4B0	Carbon steel (A350 LF2 / 1.0570)	Stainless steel (1.4404 / A182 F 316L)	Stainless steel (1.4404 / A182 F 316L)
4B0.4B.4B0	Stainless steel (1.4404 / A182 F 316L)	Stainless steel (1.4404 / A182 F 316L)	Stainless steel (1.4404 / A182 F 316L)
4J0.4J.4J0	Duplex (1.4462 / A182 F51) stainless steel	Duplex (1.4462 / A182 F51) stainless steel	Duplex (1.4462 / A182 F51) stainless steel
4T0.4T.4T0	Super Duplex (1.4410/A182 F53) stainless steel	Super Duplex (1.4410/A182 F53) stainless steel	Super Duplex (1.4410/A182 F53) stainless steel

Mounting the valve at the end of a line on request
 Pressure and temperature limits of application are dependent of the working conditions

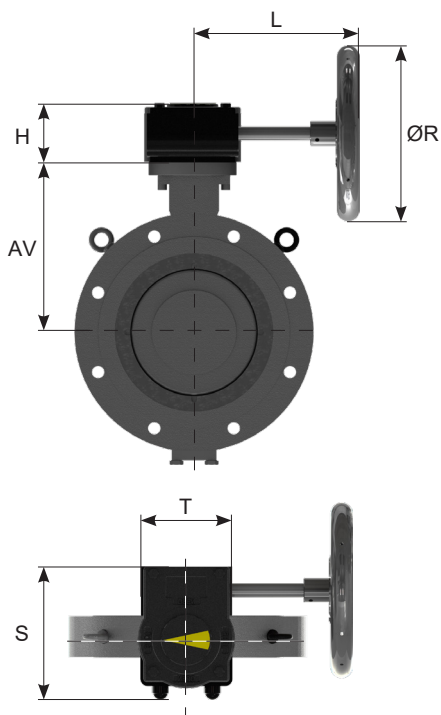
Dimensions



DN	d1	d2	A	B	C	D3	s1	s2	x	E	G	ISO 5211	y	b	[kg]
80	68	80	150	113	46	192	42	62	20	16	14	F05 / F07	4 x 8/9,5	50/70	10
100	86	100	161	130	52	220	62	79	25	16	14	F05 / F07	4 x 8/9,5	50/70	14
125	110	125	200	165	56	253	91	106	37	19	17	F07	4 x 9,5	70	18
150	133	150	212	175	56	278	117	129	47	19	17	F10	4 x 12	102	20
200	181	200	244	208	60	340	169	179	71	24	22	F10	4 x 12	102	37
250	233	250	280	243	68	405	221	230	93	24	22	F12	4 x 13	125	57
300	278	300	305	268	78	475	267	275	110	29	27	F12	4 x 13	125	90
350	330	350	330	293	78	535	304	314	127	29	27	F12	4 x 13	125	125
400	377	400	400	325	102	590	363	374	152	40	36	F14	4 x 18	140	170
500	477	500	465	370	127	695	459	470	190	48	46	F16	4 x 22	165	270
600	577	600	535	420	154	810	558	570	227	110	Ø 55	F25	8 x 22	254	450

Dimensions

Gearbox:



WP = 10 bar

DN	GBN	AV	H	L	R	S	T	n**	[kg]*
80	GB150N.F05-F0714.160	150	54,5	133,5	160	124	80	9,6	2
100	GB150N.F05-F0714.160	161	54,5	133,5	160	124	80	9,6	2
125	GB210N.F05-F07-F1017.160	200	63	193	160	127,5	102	11,6	4
150	GB210N.F05-F07-F1017.160	212	63	193	160	127,5	102	11,6	4
200	GB210N.F05-F07-F1017.160	242	63	193	160	127,5	102	11,6	4
250	GB550N.F1222.250	280	88	240	250	174	138	12	9
300	GB550N.F1227.400	314	88	307	400	174	138	12	9
350	GB880N.F1227.500	330	92,5	315	500	226	200	13,2	14
400	GB880N.F1436.500	400	92,5	315	500	226	200	13,2	14
500	GB2000N.F1446.500	465	121	358	500	255	214	27	24
600	GB1950N/PR4.F2555.400	535	126	407	400	322,5	285	54	39

WP = 16 bar

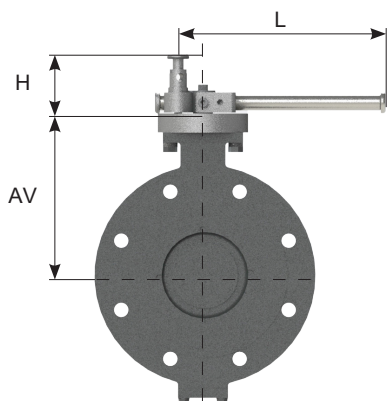
DN	GBN	AV	H	L	R	S	T	n**	[kg]*
80	GB150N.F05-F0714.160	150	54,5	133,5	160	124	80	9,6	2
100	GB150N.F05-F0714.160	161	54,5	133,5	160	124	80	9,6	2
125	GB210N.F05-F07-F1017.160	200	63	193	160	127,5	102	11,6	4
150	GB210N.F05-F07-F1017.160	212	63	193	160	127,5	102	11,6	4
200	GB215N.F05-F07-F1022.250	242	63	208	250	127,5	102	11,6	4
250	GB550N.F1222.250	280	88	240	250	174	138	12	9
300	GB550N.F1222.400	314	88	307	400	174	138	12	9
350	GB880N.F1227.600	330	92,5	315	600	226	200	13,2	14
400	GB1250N.F1436.600	400	102	356	600	258	220	13,8	22
500	GB2000N.F1646.600	465	121	358	600	255	214	27	24
600	GB1950N/PR4.F2555.500	535	126	427	500	322,5	285	54	39

WP = 20 bar

DN	GBN	AV	H	L	R	S	T	n**	[kg]*
80	GB150N.F05-F0714.160	150	54,5	133,5	160	124	80	9,6	2
100	GB150N.F05-F0714.160	161	54,5	133,5	160	124	80	9,6	2
125	GB210N.F05-F07-F1017.160	200	63	193	160	127,5	102	11,6	4
150	GB210N.F05-F07-F1017.160	212	63	193	160	127,5	102	11,6	4
200	GB215N.F05-F07-F1022.250	242	63	208	250	127,5	102	11,6	4
250	GB550N.F1222.300	280	88	292	300	174	138	12	9
300	GB880N.F1227.500	314	92,5	315	500	226	200	13,2	14
350	GB1250N.F1227.500	330	102	356	500	258	220	13,8	22
400	GB1250N.F1436.700	400	102	356	700	258	220	13,8	22
500	GB1950N/PR4.F1446.500	465	126	427	500	322,5	285	54	39
600	GB3000N/PR4.F2555.500	535	153	440	500	337	293	61	51

[kg]* weight without butterfly valve
 **n = Handwheel turns ON/OFF

Handlever:



DN	Handlever type	AV	H	L	[kg]*
80	HLSE.F0714.220	150	55	220	0,9
100	HLSE.F0714.220	161	55	220	0,9
125	HLSE.F0717.255	200	60	255	1,3
150	HLSE.F1017.255	212	60	255	1,3

[kg]* weight without butterfly valve