

TLBVA23 – PFA Lined Ball Valve, with ISO top flange

Description

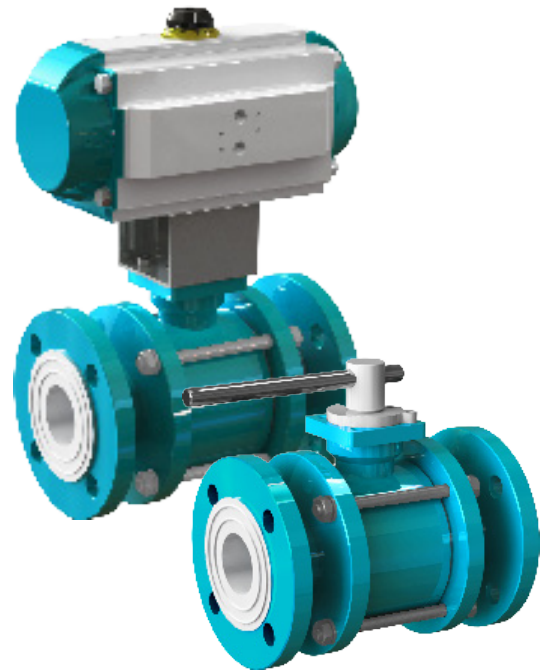
Full bore PFA lined ball valve with flanged ends and 3-piece body, for corrosive applications.

Product features

- Size range DN 15 – 100
- Flange connection PN 10/16 (ANSI cl. 150)
- Face to face dimension DIN 3202-F1 / EN 558-1
- Max. working pressure max. 16 bar
- Temperature range -50 °C to 180 °C
- Anti-static version available as option

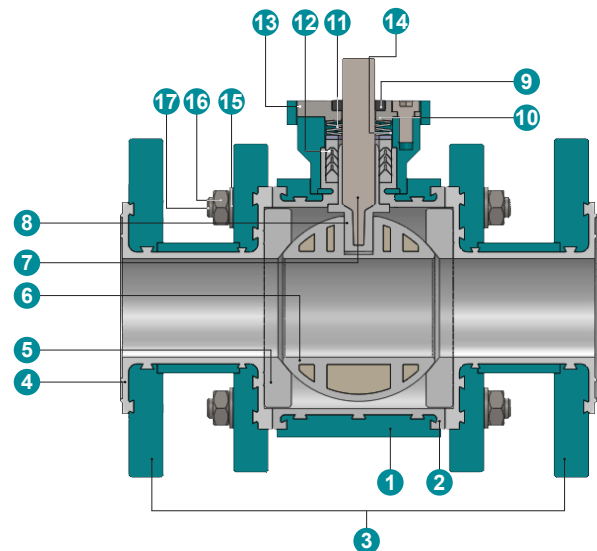


The ball valves TLBVA meet the safety requirements of the PED 2014/68/EU and with antistatic lining as well the ATEX 2014/34/EU.



Construction

Item	Description	Material
1	Body	Carbon steel 1.0050, Epoxy / Polyester coated
2	Body lining	PFA / PFA antistatic
3	Flange end pieces	Carbon steel 1.0050, Epoxy / Polyester coated
4	Lining of flanges	PFA / PFA antistatic
5	Seat ring	PTFE / PTFE antistatic
6	Ball	DN 15 - 20: PTFE + 25 % GF / PTFE antistatic DN 25 - 100: PFA / PFA antistatic with steel reinforcement
7	Stem	Carbon steel 1.6580 / 30CrNiMo8
8	Lining of stem	PFA / PFA antistatic
9	Ring	PTFE antistatic
10	Retaining flange	Stainless steel 1.4571 / X6CrNiMo-Ti17-12-2 / ≈ AISI 316Ti
11	Spring washers	Spring steel 51Si7 / 1.5025
12	Packing bellows	PTFE / PTFE antistatic
13	Bolt	Stainless steel A4
14	Gland ring	Stainless steel 1.4571 / X6CrNiMo-Ti17-12-2 / ≈ AISI 316Ti
15	Washer	Stainless steel A2



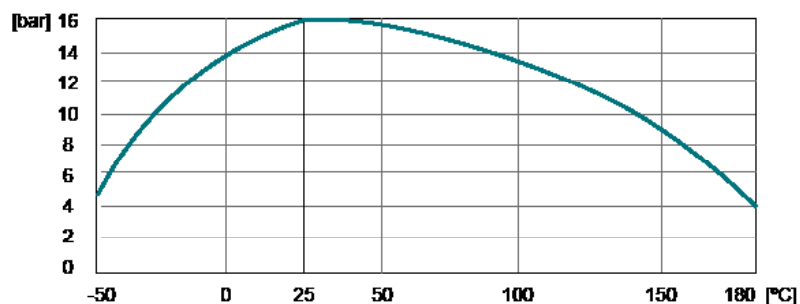
Type code

TLBVA 23 F F . 025 . 3 3 - 3CT . 3CT . T + ...

① ② ③ ④ ⑤ ⑥ ⑦ ⑧ ⑨ ⑩ ⑪

①	Type	TLBVA	PFA lined ball valve with ISO top flange	
②	Construction	23	2/2 ways, 3-piece body	
③	Bore	F	Full bore	DN 15-80
		R	Reduced bore: standard on DN 100; full port on request	DN 100
④	Face to face	F	DIN 3202-F1 / EN 558-1 (long)	
⑤	Size	015-100	DN 15 - 100 mm (½" - 4")	
⑥	Working pressure	3	16 bar	
⑦	Flange connection	3	PN 10/16	
		A	ANSI cl. 150	
⑧	Material body	3CT	Carbon steel 1.0037 PFA lined	
		3CA	Carbon steel 1.0037 PFA antistatic lined (black) (no FDA and EC 1935/2004 compliance)	
		4BT	Stainless steel 1.4404 PFA lined	
		4BA	Stainless steel 1.4404 PFA antistatic lined (black) (no FDA and EC 1935/2004 compliance)	
⑨	Material ball	0TG	PTFE + 25 % GF	DN 15-20
		00A	PTFE antistatic (black)	DN 15-20
		3CT	PFA with steel reinforcement	DN 25-100
		3CA	PFA antistatic (black) with steel reinforcement	DN 25-100
		00C	Ceramic ZrO2	Optional
⑩	Material seat rings	T	PTFE	
		A	PTFE antistatic (black)	
⑪	Special executions	MP...TLBVA...	Bracket + coupling	
		HLS...TLBVA	Handlever	

Pressure- / temperature diagram



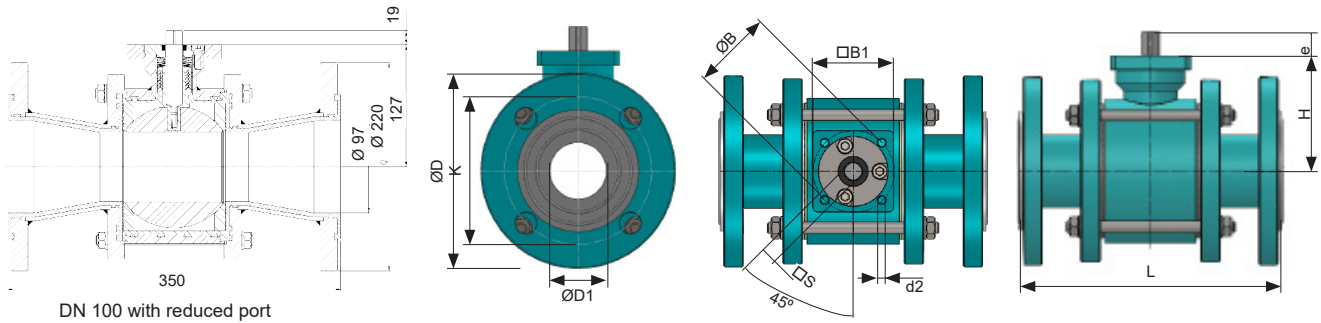
Kv values [m³/h]

DN	15	20	25	32	40	50	65	80	100
Kv [m³/h]	17,5	31	75	155	200	310	500	800	1.250

TLBVA23 – PFA Lined Ball Valve, with ISO top flange

Dimensions

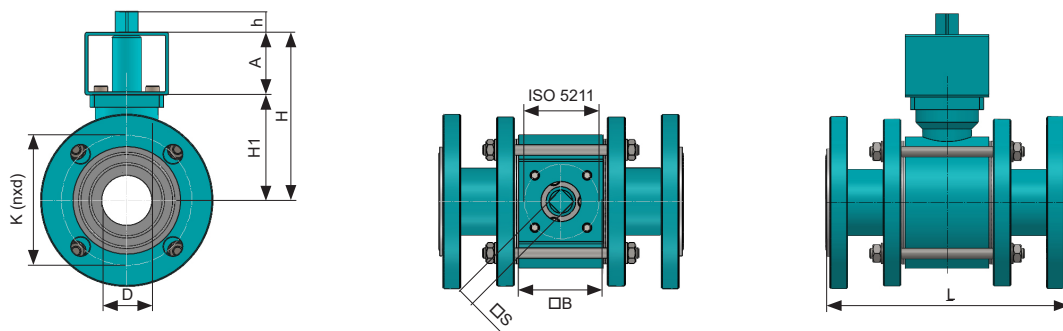
ISO top flange



DN 100 with reduced port

DN	L	D	D1	K	H	n x d	B	B1	s x e	d2	ISO 5211	kg
15	130	95	13	65	51	4 x 14	50	50	9 x 12	M6	F05	1,9
20	150	105	158	75	52,5	4 x 14	50	50	9 x 12	M6	F05	2,9
25	160	115	24	85	55	4 x 14	50	50	9 x 12	M6	F05	4,0
32	180	140	32	100	74	4 x 18	70	70	11 x 15	M8	F07	6,0
40	200	150	38	110	72	4 x 18	70	70	11 x 15	M8	F07	8,4
50	230	165	48	125	101	4 X 18	70	70	14 X 18	M8	F07	11,2
65	290	185	62	145	108	4 X 18	70	70	14 X 18	M8	F07	15,0
80	310	200	76	160	129	8 X 18	102	100	17 X 21	M10	F10	20,5
100	350	220	96	180	161,5	8 X 18	102	100	19 X 26	M10	F10	29,5

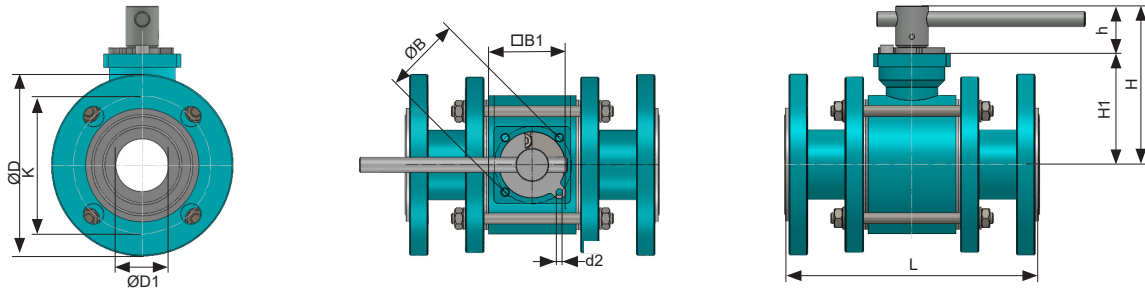
Mounting bracket



DN	L	D	K	n x d	H	H1	A	B	s x h	ISO 5211		Kg
										Double acting	Single acting	
15	130	13	65	4 x 14	107	48	40	60	11 x 12	F05	F05	1,9
20	150	18	75	4 x 14	108,5	49,5	40	60	11 x 12	F05	F05	2,9
25	160	24	85	4 x 18	112,5	53,5	40	60	11 x 12	F05	F05	4,0
32	180	32	100	4 x 18	151	72	60	80	14 x 16	F05	F07	6,0
40	200	38	110	4 x 18	157	78	60	80	14 x 16	F05	F07	8,4
50	230	48	125	4 x 18	179	100	60	80	14 x 16	F05	F07	11,2
65	290	62	145	4 x 18	183,5	104,5	60	80	14 x 16	F05	F07	15,0
80	310	76	160	8 x 18	212	127	60	100	17 x 19	F07	F10	20,5
100	350	96	180	4 x 18	212	127	60	100	17 x 19	F07	F10	29,0

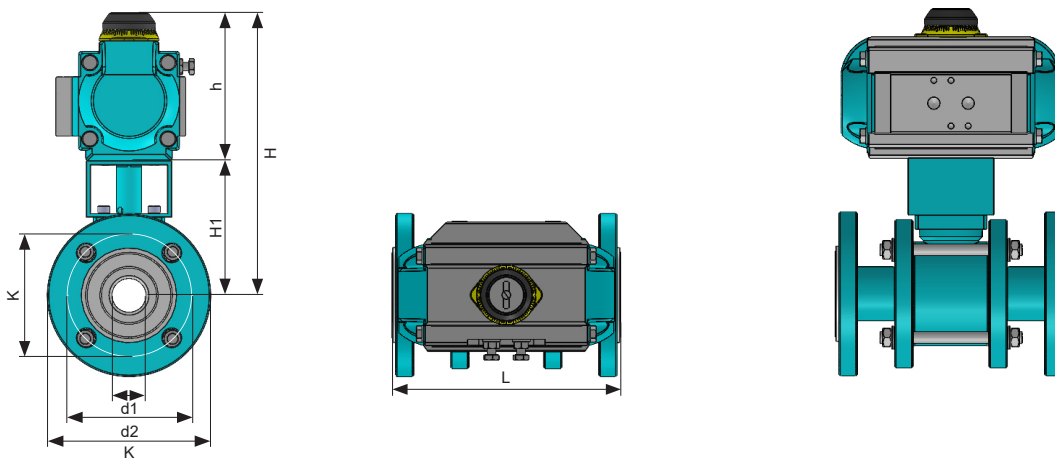
TLBVA23 – PFA Lined Ball Valve, with ISO top flange

Handlever



DN	L	D	D1	K	H	H1	A	h	n x d	B	B1	s x e	d2	ISO 5211	Kg
15	130	95	13	65	78	51	90	30	4 x 14	50	50	9 x 12	M6	F05	1,9
20	150	105	18	75	79,5	52,5	135	30	4 x 14	50	50	9 x 12	M6	F05	2,9
25	160	115	24	85	83,5	55	135	30	4 x 14	50	50	9 x 12	M6	F05	4,0
32	180	140	32	100	107	74	175	35	4 x 18	70	70	11 x 15	M8	F07	6,0
40	200	150	38	110	113	78	175	35	4 x 18	70	70	11 x 15	M8	F07	8,4
50	230	165	48	125	140	101	215	40	4 x 18	70	70	14 x 18	M8	F07	11,2
65	290	185	62	145	144,5	108	250	40	4 x 18	70	70	14 x 18	M8	F07	15,0
80	310	200	76	160	172	129	285	45	8 x 18	102	100	17 x 21	M10	F10	20,5
100	350	220	96	180	172	161,5	320	45	8 x 18	102	100	19 x 26	M10	F10	29,0

Pneumatic actuator



DN	D	K	n x d	d1	d2	L	H1	ISO 5211		h IA...D	H IA...D	[kg] IA...D	h IA...S	H IA...S	[kg] IA...S	kv [m3/h]	
								Double acting	Single acting								
15	95	65	4 x 14	13	46	130	91	11 x 12	F05	F05	105	196	3.6	122	213	5.3	17.5
20	105	75	4 x 14	18	56	150	92,5	11 x 12	F05	F05	105	197,5	4.6	122	214,5	6.3	31
25	115	85	4 x 14	24	65	160	95	11 x 12	F05	F05	105	200	5.7	135	230	8.8	75
32	140	100	4 x 18	32	75	180	134	14 x 16	F05	F07	122	256	9.0	147	281	12.6	155
40	150	110	4 x 18	38	83	200	138	14 x 16	F05	F07	122	260	11.4	147	285	15.0	200
50	165	125	4 x 18	48	101	230	161	14 x 16	F05	F07	122	283	14.2	175	336	21.4	310
65	185	145	4 x 18	62	111	290	168	14 x 16	F05	F07	122	290	18.0	175	343	25.2	500
80	200	160	8 x 18	76	133	310	189	17 x 19	F07	F10	147	336	26.2	187	376	33.1	800
100	220	180	8 x 18	96	154	350	221,5	17 x 19	F07	F10	147	368,5	34.7	187	408,5	41.6	1250

The technical data are noncommittal and do not assure you of any properties. Please refer to our general sales conditions. Modifications without notice.

© 2022 InterApp AG, all rights reserved