

Description

Silencers with metal nipple and 36µm sintered bronze filter element. Flat filter and hexagonal key on nipple.

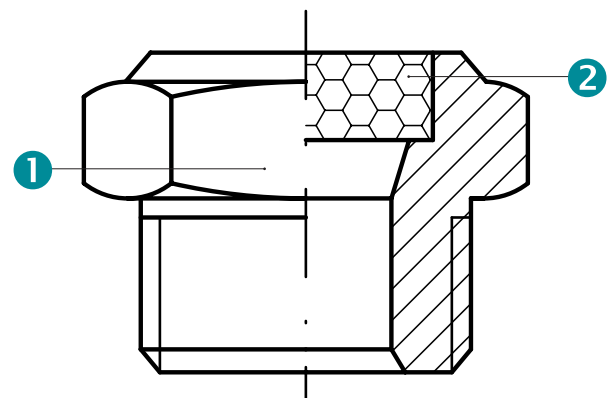


Product Features

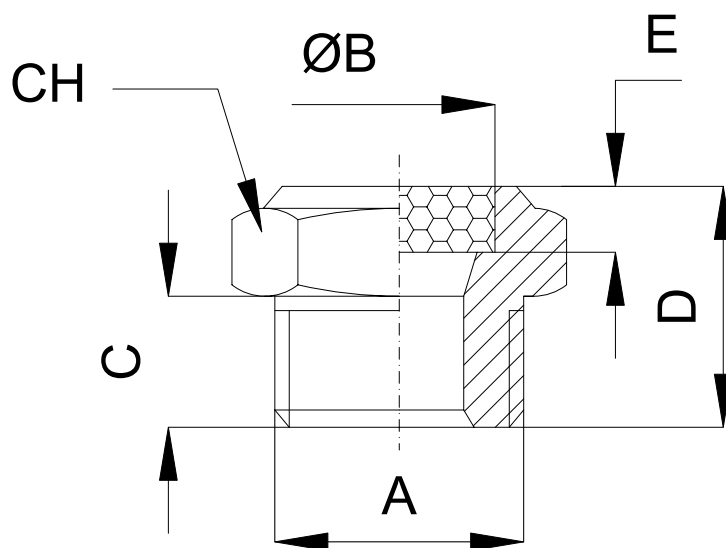
- Fluid Compressed air
- Max. working pressure 12 bar
- Temperature range -10°C to 80°C
- Parallel threads UNI - ISO 228 / 1 (BSP)
- Metric threads ISO R / 262
- Filter degree 36µm

Construction

1	Filter element	Sintered spherical bronze
2	Nipple	Brass



Dimensions



	A	CH	C	D
PS18	1/8"	13	6	13
PS14	1/4"	16	8	17
PS38	3/8"	19	7,5	17
PS12	1/2"	24	10	19

InterApp AG
 Grundstrasse 24
 CH-6343 Rotkreuz
 Phone +41 (0) 41 7982233
 Fax +41 (0) 41 7982234
 info@ch.interapp.net

InterApp Ges.m.b.H.
 Kolpingstrasse 19
 A-1230 Wien
 Phone +43 (0) 1 6162371-0
 Fax +43 (0) 1 6162371-99
 info@at.interapp.net

InterApp Italiana
 Via Gramsci 29
 I-20016 Pero (MI)
 Phone +39 02 339371
 Fax +39 02 33937200
 info@it.interapp.net

InterApp GmbH
 Schillerstrasse 50
 D-42489 Wülfrath
 Phone +49(2058) 8909250
 Fax +49(2058) 8909255
 info@de.interapp.net

AVK Válvulas S.A.
InterApp Válvulas S.A.
 Poligono Industrial Francoli, parcela 27
 E-46006 Tarragona
 Phone +34 977 543 008
 Fax +34 977 541 622
 avk@avkvalvulas.com

The technical data are noncommittal and do not assure you of any properties. Please refer to our general sales conditions. Modifications without notice.

© 2017 InterApp AG, all rights reserved