

DESIGN

Body	Flangeless wafer type with centring lugs
End Connection	EN 1092 PN 6, 10, 16 ASME B16.5 cl. 150 JIS 5K, 10K, 16K MSS SP 44 cl. 150
Face to Face	EN558 Basic Series 20 (14" Series 25)
Body Seal	Replaceable
Shaft Seal Design	Stuffing box
Driving Shaft	With indicator for position of the disc
Special Design Options	-

TESTING PROCEDURES

Shell strength test	EN 12266-1, P10 ISO 5208 API 598
Shell tightness test	EN 12266-1, P11 API 598
Seat tightness test	EN 12266-1, P12, Rate A ISO 5208, Rate A API 598
Operability test	EN 12266-2, F20 ISO 5208 API 598

**OPTIONS**

Anti-Static Design	In accordance with EN 736/3 and API 609
--------------------	---

FUNCTIONAL CHARACTERISTICS

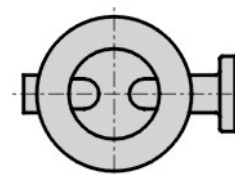
Application	On/off or regulating/control
Design pressure PS	Maximum 16 bar
Design temp. TS	-29°C (-20°F) to +204 °C (399 °F)
Flow velocity	5 m/s for liquids, 50 m/s for gases
Seat tightness rate	Bi-directional - ISO 5208, EN 12266-1 rate A and API 598 (soft seated)

MARKING & CERTIFICATION

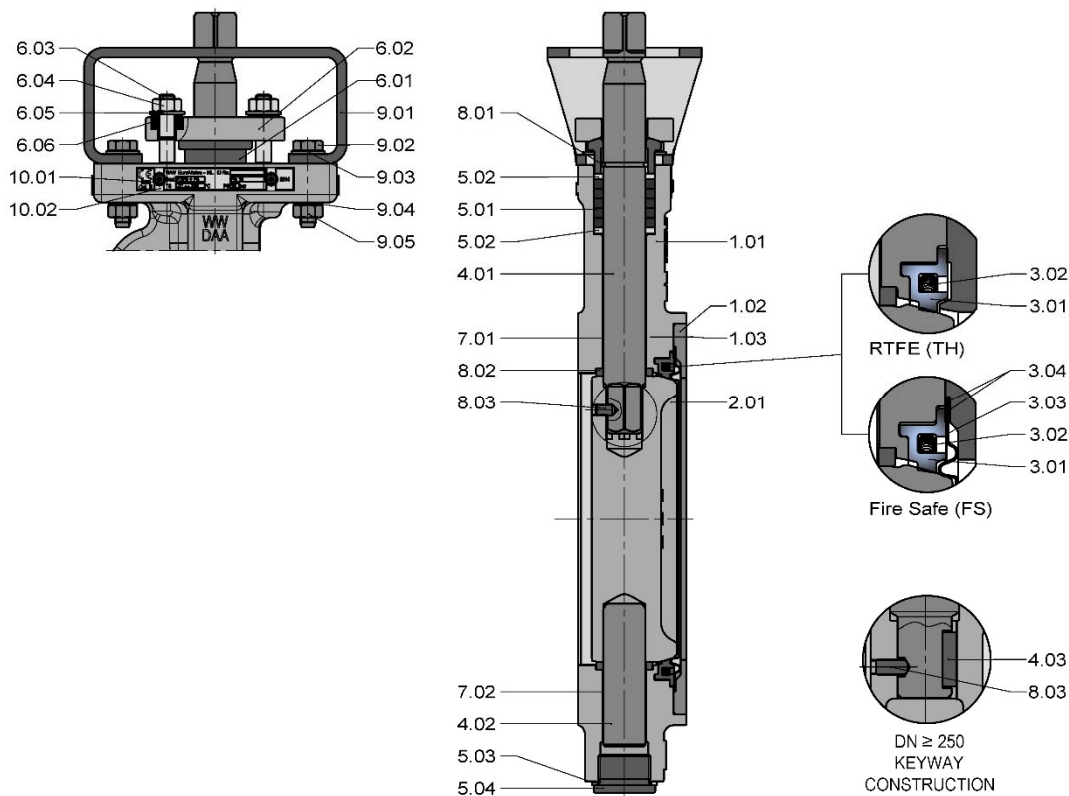
Marking	EN 19, API 609
Certification	EN 10204 - 2.2, 3.1, 3.2
PED	Category III

PRODUCT DATA

General Description	BUTTERFLY VALVE - High Performance double eccentric
Design Code	EN 593 / API 609
Size Range	DN 50 - 400, NPS 2" - 16"
Maximum Pressure	16 bar

PREFERRED POSITION WHEN INSTALLED IN HORIZONTAL PIPELINE

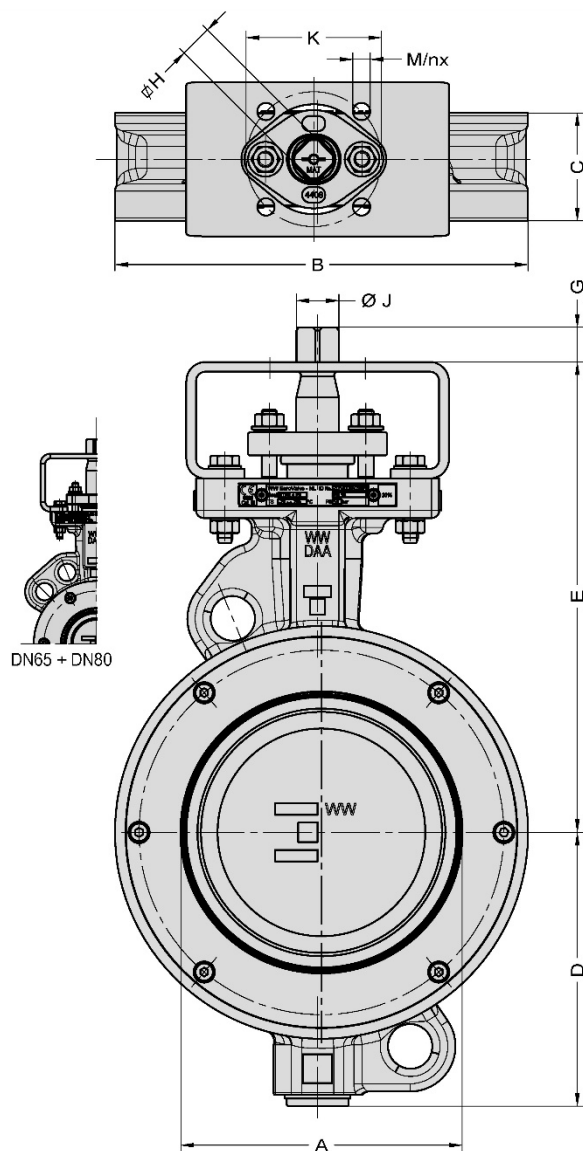
PARTS LIST - ECONAXE W201 - 50-400 (2"-16")



ITEM	DESCRIPTION	MATERIAL ⁽¹⁾	EN/DIN	COMPARABLE ASTM
1.01	Body	Austenitic SS Carbon Steel	1.4408, EN 10213 1.0619, EN 10213	A 351, CF8M A 216, WCB
1.02	Retaining ring	Austenitic SS	1.4401, EN 10088-3	A 182, F316
1.03	Hex. socket head screw	Stainless Steel - A4/70		
2.01	Disc	Austenitic SS	1.4408, EN 10213	A 351, CF8M
3.01	Body seat ring (TH)	RTFE 15-12-3	-	-
3.02	Helix coil	Austenitic SS	1.4401, EN 10088-3	A 182, F316
3.03	Fire safe ring	Inconel 625*	2.4856, EN 10095	-
3.04	Gasket	Graphite/Nickel		
4.01	Upper shaft	Austenitic SS	1.4462, EN 10088-3	-
4.02	Lower shaft	Austenitic SS	1.4462, EN 10088-3	-
4.03	Key	A4		
5.01	Packing ring	Graphite (>99.85%)		
5.02	Taper ring	Austenitic SS	1.4401, EN 10088-3	A 182, F316
5.03	Sealing ring	Vulcanized fibre		
5.04	Hexagon socket plug	Stainless Steel - A4/70		
6.01	Packing gland	Austenitic SS	1.4408, EN 10213	A 351, CF8M
6.02	Gland flange	Austenitic SS	1.4408, EN 10213	A 351, CF8M
6.03	Stud bolt	Stainless Steel - A4/70		
6.04	Hexagon nut	Stainless Steel - A4/70		
6.05	Washer	Stainless Steel - A4		
6.06	Bevelled washer	Stainless Steel		
7.01	Sliding bearing	Austenitic SS / PTFE coated	1.4401, EN 10088-3	A 182, F316
7.02	Sliding bearing	Austenitic SS / PTFE coated	1.4401, EN 10088-3	A 182, F316
8.01	Snap ring	Stainless Steel	1.4310,	
8.02	Spacer ring	High Performance Plastic		
8.03	Set screw	Stainless Steel - A4/70		
9.01	Bracket	Austenitic SS	1.4401, EN 10088-3	A 182, F316
9.02	Hexagon head bolt	Stainless Steel - A4/70		
9.03	Washer	Stainless Steel - A4		
9.04	Spring lock washer	Stainless Steel - A4		
9.05	Hexagon nut	Stainless Steel - A4/70		
10.01	Marking plate	Austenitic SS	1.4401, EN 10088-3	A 182, F316
10.02	Blind rivet	Stainless Steel - A4		

⁽¹⁾ Other materials on request

DIMENSIONS - ECONAXE W201 - 50-400 (2"-16")



DN	NPS	A	B	C	D	E	G	H	J	ISO 5211	K	M	n	MASS ±kg
50	2"	46	99	43	86	172	11	11	14	F05	50	7	4	4
65	2½"	61	120	46	92	179	11	11	14	F05	50	7	4	5
80	3"	71	130	46	111	201	15	14	18	F05	50	7	4	6
100	4"	91	154	52	116	218	18	17	22	F07	70	9	4	9
125	5"	120	184	56	130	231	18	17	22	F07	70	9	4	11.5
150	6"	146	214	56	142	244	18	17	22	F07	70	9	4	12.5
200	8"	192	258	61	182	301	23	22	28	F10	102	11	4	19.5
250	10"	241	316	70	216	342	28	27	36	F12	125	13	4	32
300	12"	296	368	78	242	368	28	27	36	F12	125	13	4	39
350	14"	329	407	92	286	429	37	36	45	F14	140	17	4	56
400	16"	381	467	102	312	455	37	36	45	F14	140	17	4	69