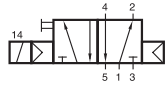


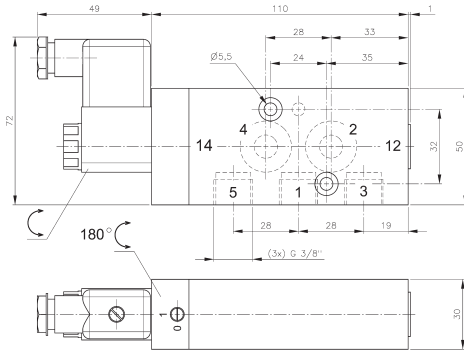
MNH 510 101/MNH 511 101 MNH 510 121/MNH 511 121



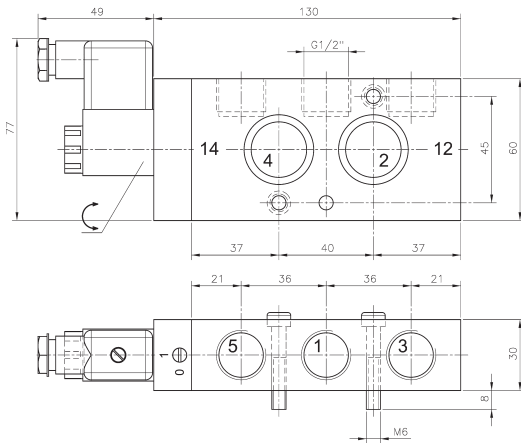
MNH 510 101
MNH 510 121
MNH 510 121 NPT



MNH 511 101
MNH 511 121
MNH 511 121 NPT



MNH 510 101/MNH 511 101



**MNH 510 121/MNH 511 121
MNH 510 121 NPT/MNH 511 121 NPT**



5/2-way solenoid valve, actuated by permanent signal. Interface according to NAMUR-standard.

Type 101 according to 1/4" NAMUR-standard
Type 121 according to 1/2" NAMUR-standard

MNH 510 101, MNH 510 121 with pneumatic spring return, MNH 511 101 and MNH 511 121 with combined spring.

Available with solenoid operators:
230V/50Hz, 110V/50Hz, 24V/50Hz, 48V=,
24V=, 12V=.

The valves are generally equipped with manual override to turn.

Delivery includes 1 pin, 2 screws, 2 O-rings.

Type	NAMUR Port size	Air flow	Operating press.	Power cons.	Weight
MNH 510 101	1/4" G 3/8"	2250 l/min	1,5 - 10 bar	3 W = / 5 VA ~	0,55 kg
MNH 511 101	1/4" G 3/8"	2250 l/min	2,5 - 10 bar	3 W = / 5 VA ~	0,55 kg
MNH 510 121	1/2" G 1/2"	3000 l/min	1,0 - 10 bar	3 W = / 5 VA ~	0,70 kg
MNH 511 121	1/2" G 1/2"	3000 l/min	2,5 - 10 bar	3 W = / 5 VA ~	0,70 kg
MNH 510 121 NPT	1/2" 1/2" NPT	3000 l/min	1,0 - 10 bar	3 W = / 5 VA ~	0,70 kg
MNH 511 121 NPT	1/2" 1/2" NPT	3000 l/min	2,5 - 10 bar	3 W = / 5 VA ~	0,70 kg

