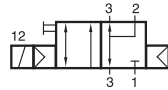
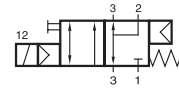


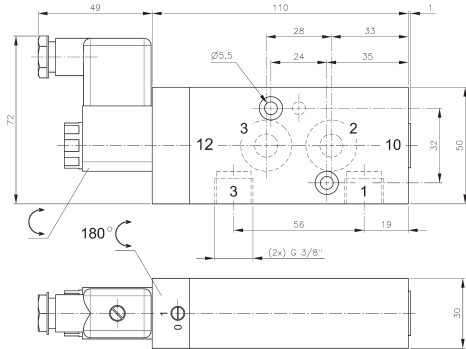
MNH 310 101/MNH 311 101 MNH 310 121/MNH 311 121



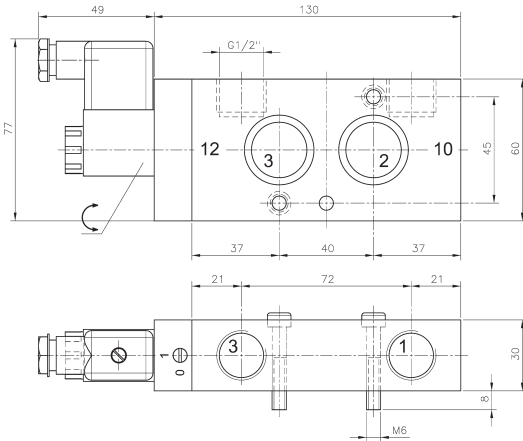
MNH 310 101
MNH 310 121
MNH 310 121 NPT



MNH 311 101
MNH 311 121
MNH 311 121 NPT



MNH 310 101/MNH 311 101



**MNH 310 121/MNH 311 121
MNH 310 121 NPT/MNH 311 121 NPT**



3/2-way solenoid valve, actuated by permanent signal. Interface according to NAMUR-standard, with exhaust air recirculation ("purge").

Type 101 according to 1/4" NAMUR-standard
Type 121 according to 1/2" NAMUR-standard

MNH 310 101, MNH 310 121 with pneumatic spring return, MNH 311 101 and MNH 311 121 with combined spring assuring a fail-safe function.

Available with solenoid operators:
230V/50Hz, 110V/50Hz, 24V/50Hz, 48V=,
24V-, 12V-.

The valves are generally equipped with manual override to turn.

Delivery includes 1 pin, 2 screws, 2 O-rings.

Type	NAMUR Port size	Air flow	Operating press.	Power cons.	Weight
MNH 310 101	1/4" G 3/8"	2250 l/min	1,5 - 10 bar	3 W = / 5 VA ~	0,55 kg
MNH 311 101	1/4" G 3/8"	2250 l/min	2,5 - 10 bar	3 W = / 5 VA ~	0,55 kg
MNH 310 121	1/2" G 1/2"	3000 l/min	1,0 - 10 bar	3 W = / 5 VA ~	0,70 kg
MNH 311 121	1/2" G 1/2"	3000 l/min	2,5 - 10 bar	3 W = / 5 VA ~	0,70 kg
MNH 310 121 NPT	1/2" 1/2" NPT	3000 l/min	1,0 - 10 bar	3 W = / 5 VA ~	0,70 kg
MNH 311 121 NPT	1/2" 1/2" NPT	3000 l/min	2,5 - 10 bar	3 W = / 5 VA ~	0,70 kg

