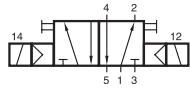


MNH 520 701/MNH 520 101/MNH 520 121 MNK 520 701



MNH 520 701
MNH 520 101
MNH 520 121
MNK 520 701
MNH 520 701 NPT
MNH 520 121 NPT

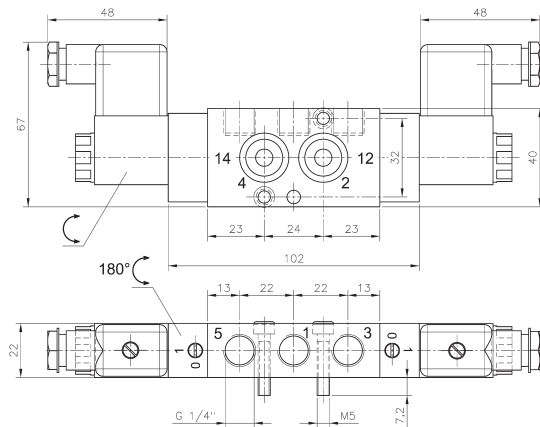


5/2-way solenoid valve actuated by impulse. Position is kept until next electrical signal even when not attached to electrical source. Interface according to NAMUR-standard.

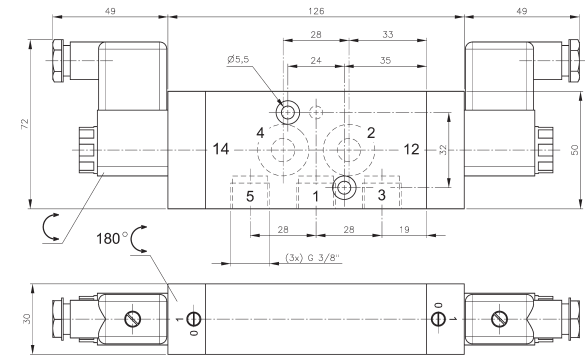
MNH generally with manual override to turn with solenoid operators 230V/50Hz, 110V/50Hz, 24V/50Hz, 48V=, 24V=, 12V=.

MNK with manual override to push with solenoid operators 230V/50Hz, 110V/50Hz, 24V/50Hz, 24V=, 12V=, 6V=.

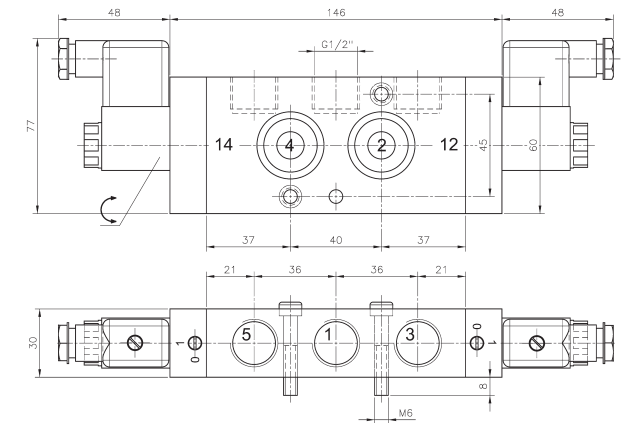
Delivery includes 1 pin, 2 screws, 2 O-rings.



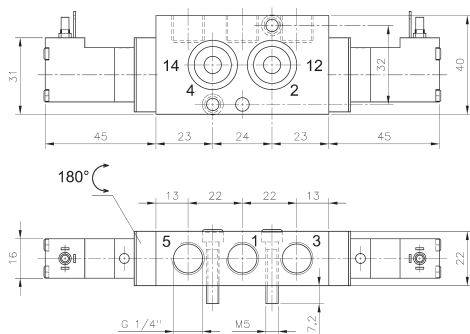
MNH 520 701/MNH 520 701 NPT



MNH 520 101



MNH 520 121/MNH 520 121 NPT



MNK 520 701

Type	NAMUR Port size	Air flow	Operating press.	Power cons.	Weight
MNH 520 701	1/4" G 1/4"	1250 l/min	2 - 10 bar	3 W = / 5 VA ~	0,35 kg 
MNH 520 101	1/4" G 3/8"	2250 l/min	1,5 - 10 bar	3 W = / 5 VA ~	0,84 kg 
MNH 520 121	1/2" G 1/2"	3000 l/min	1 - 10 bar	3 W = / 5 VA ~	0,87 kg 
MNK 520 701	1/4" G 1/4"	1250 l/min	2 - 10 bar	1,8 W = / 3 VA ~	0,31 kg 
MNH 520 701 NPT	1/4" 1/4" NPT	1250 l/min	1,5 - 10 bar	3 W = / 5 VA ~	0,35 kg 
MNH 520 121 NPT	1/2" 1/2" NPT	3000 l/min	1 - 10 bar	3 W = / 5 VA ~	0,87 kg 