

## Description

Silenced air flow regulators are normally used to reduce the exhaust velocity and so the operating time of pneumatic actuators, mounted on solenoid valve exhausts. Characterised by including 2 functions in one item only: flow control and silencer.

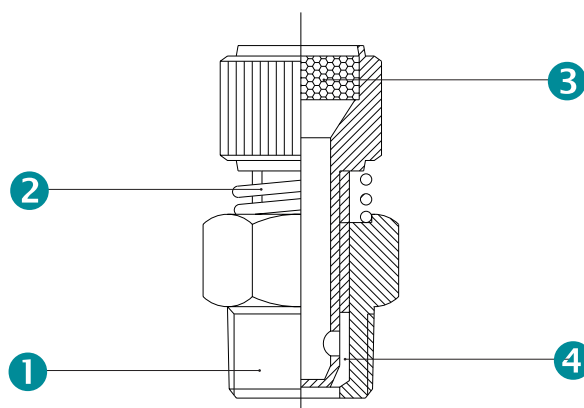


## Product Features

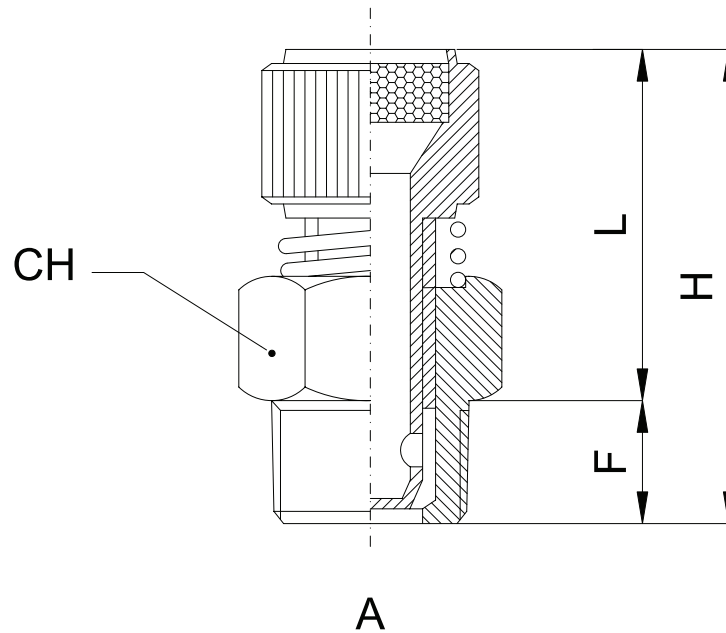
- Fluid Compressed air
- Pressure range 0,5 - 10 bar
- Temperature range -20°C to 70°C
- Parallel threads UNI - ISO 228 / 1 (BSP)
- Metric threads ISO R / 262
- Filter degree 36 µm

## Construction

1	Body	Sintered bronze
2	Spring	Stainless steel
3	Filter element	Sintered bronze
4	Seals	NBR rubber



## Dimensions



	A	CH	F	L		H	
				min	max	min	max
<b>AVE18</b>	1/8"	13	6	20	22	26	28
<b>AVE14</b>	1/4"	15	8	22	24	30	32
<b>AVE38</b>	3/8"	18	10	25	28	35	38
<b>AVE12</b>	1/2"	22	11	26	29	36	39

**InterApp AG**  
 Grundstrasse 24  
 CH-6343 Rotkreuz  
 Phone +41 (0) 41 7982233  
 Fax +41 (0) 41 7982234  
 info@ch.interapp.net

**InterApp Ges.m.b.H.**  
 Kolpingstrasse 19  
 A-1230 Wien  
 Phone +43 (0) 1 6162371-0  
 Fax +43 (0) 1 6162371-99  
 info@at.interapp.net

**InterApp Italiana**  
 Via Gramsci 29  
 I-20016 Pero (MI)  
 Phone +39 02 339371  
 Fax +39 02 33937200  
 info@it.interapp.net

**InterApp GmbH**  
 Schillerstrasse 50  
 D-42489 Wülfrath  
 Phone +49(2058) 8909250  
 Fax +49(2058) 8909255  
 info@de.interapp.net

**AVK Válvulas S.A.**  
**InterApp Válvulas S.A.**  
 Polígono Industrial Francolí, parcela 27  
 E-46006 Tarragona  
 Phone +34 977 543 008  
 Fax +34 977 541 622  
 avk@avkvalvulas.com