

# BVH22 - Ball valve (stainless steel, 2-piece body) Rp 1/4" - 3"

## Description

Stainless steel ball valve PN 63 with two-piece body, full bore with hand lever

## Product features

- Connection DIN EN 10226-1 (DIN 2999)
- Face to face dimension DIN 3202 M3 <= DN 50
- Max. working pressure 63 bar
- Temperature range -10°C ÷ 200°C, versions for lower temperatures on request

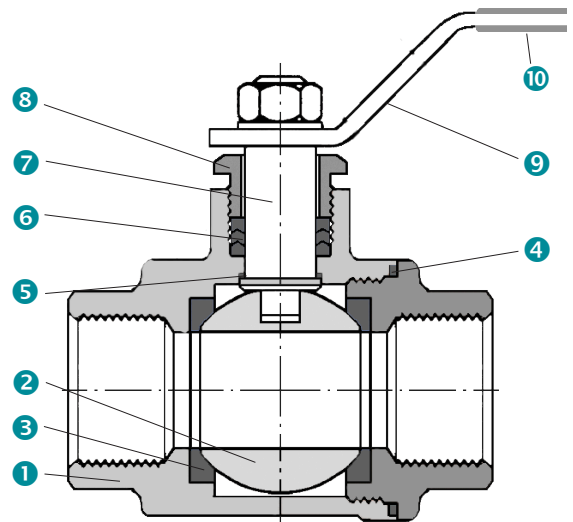


The ball valves BVH22 meet the safety requirements of the pressure Equipments Directive 2014/68/EU (PED) appendix 1 for fluids of the groups 1 and 2.

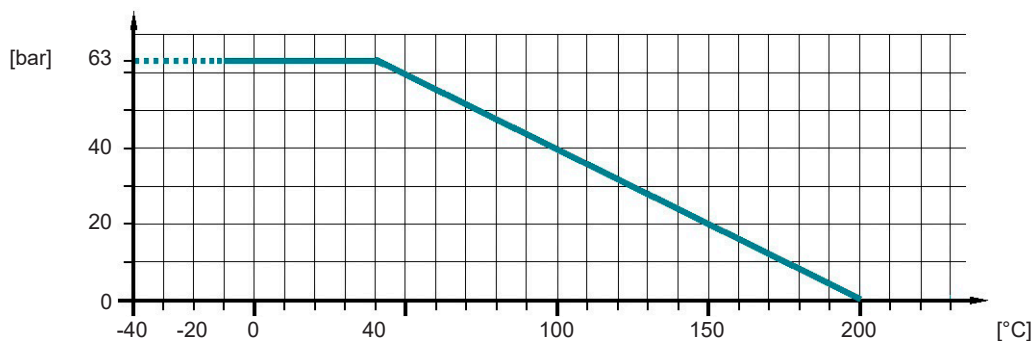


## Construction

1	Two-piece body	1.4408
2	Ball	1.4408
3	Seat ring	PTFE
4	Seal ring	PTFE
5	Washer	PTFE
6	Stem seal	PTFE
7	Stem	1.4401
8	Gland nut	1.4301
9	Locking pad (option)	1.4301
10	Handle cover by plastic	1.4301



## Pressure / temperature diagram



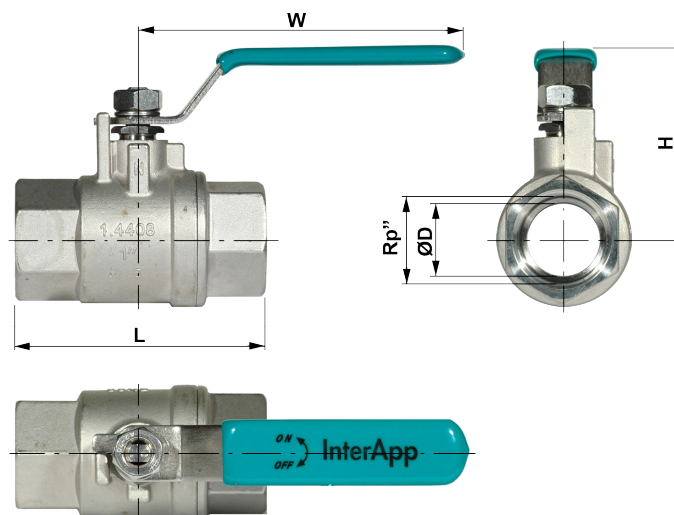
# BVH22 - Ball valve (stainless steel, 2-piece body) Rp ¼" - 3"

## Type code

BVH	22	FT	014	SST
1	2	3	4	5

1 Type	BVH	ball valve with handlever	
2 Construction	22	2/2 ways, two-piece body	
3 Bore, connection	F	full bore	
	T	threaded connection	
4 Size	014-	Rp ¼" -	
	300	Rp 3"	
5 Materials	S	Body stainless steel	1.4408
	S	Ball stainless steel	1.4408
	T	Seat ring	PTFE

## Dimensions



Rp''	DN	ØD	L	H	W	kv[m³/h]	[kg]
¼	8	11,5	50	57	96	6	0,2
⅜	10	12,5	60	57	96	9	0,25
½	15	15,0	75	57	96	19	0,35
¾	20	20,0	80	63	110	46	0,45
1	25	25,0	90	70	113	72	0,75
1¼	32	32,0	110	75	132	105	1,2
1½	40	38,0	120	93	156	170	1,8
2	50	50,0	140	100	156	275	2,75
2½	65	65,0	167,5*	132	265	507	6,45
3	80	80,0	190,5*	143	265	905	9,75

\* no standard